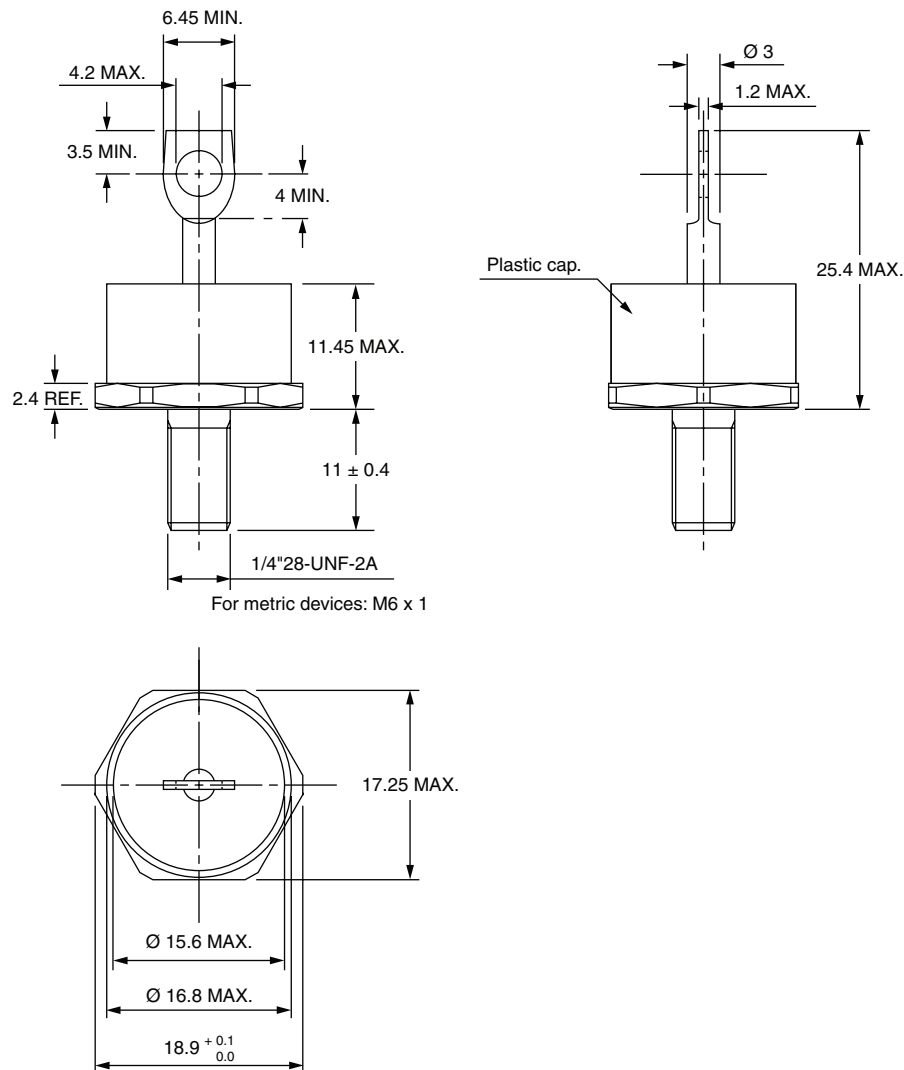




DO-203AB (DO-5) for 50PF(R)...(W), 80PF(R)...(W) and 95PF(R)...(W) Series

DIMENSIONS FOR 80PF(R), 50PF(R) AND 95PF(R) SERIES in millimeters



Note

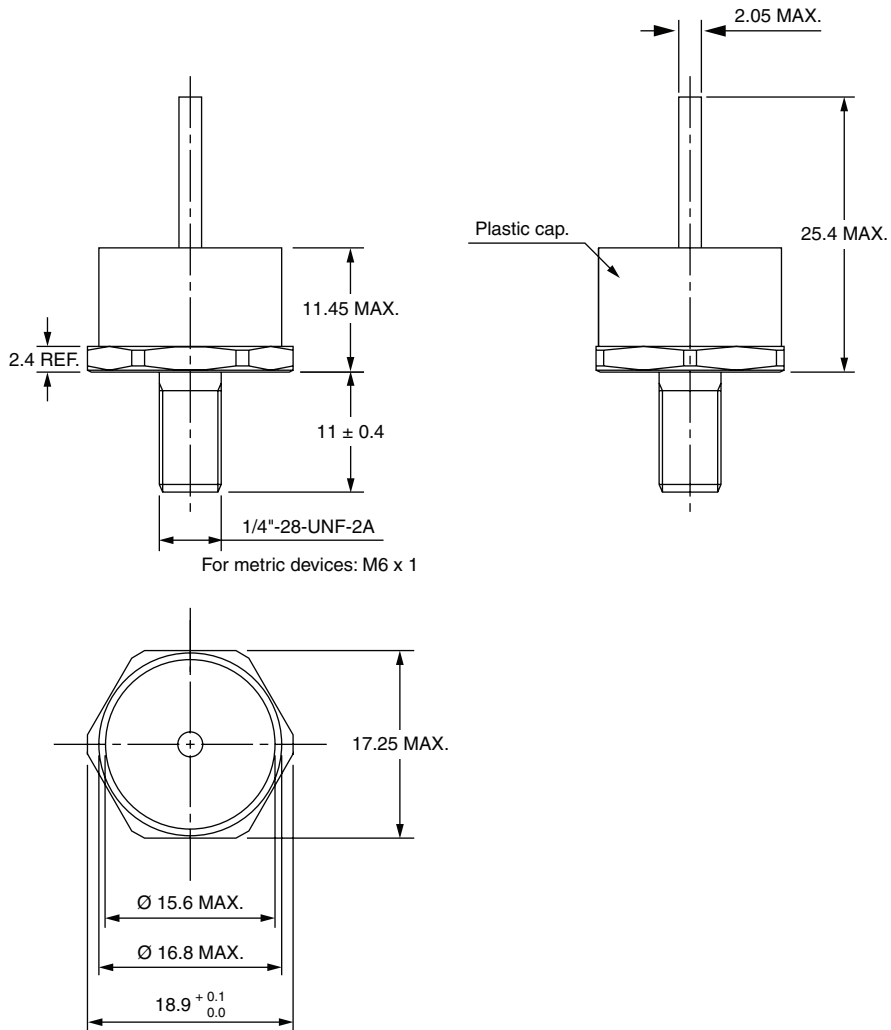
- For metric device please contact factory

Outline Dimensions



Vishay High Power Products DO-203AB (DO-5) for 50PF(R)...(W),
80PF(R)...(W) and 95PF(R)...(W) Series

DIMENSIONS FOR 80PF(R)...(W), 50PF(R)...(W) AND 95PF(R)...(W) SERIES in millimeters



Note

- For metric device please contact factory

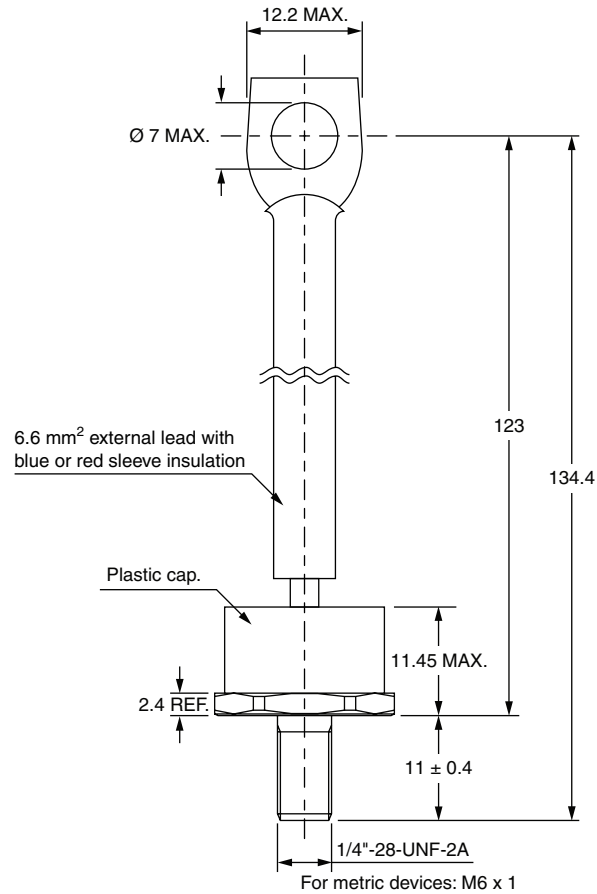


Outline Dimensions

DO-203AB (DO-5) for 50PF(R)...(W),
80PF(R)...(W) and 95PF(R)...(W) Series

Vishay High Power Products

DIMENSIONS FOR 52PF(R), 82PF(R) AND 97PF(R) SERIES in millimeters



Note

- For metric device please contact factory